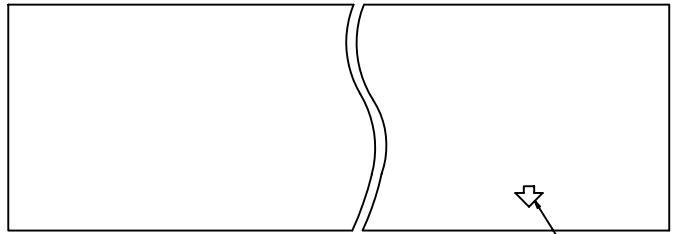
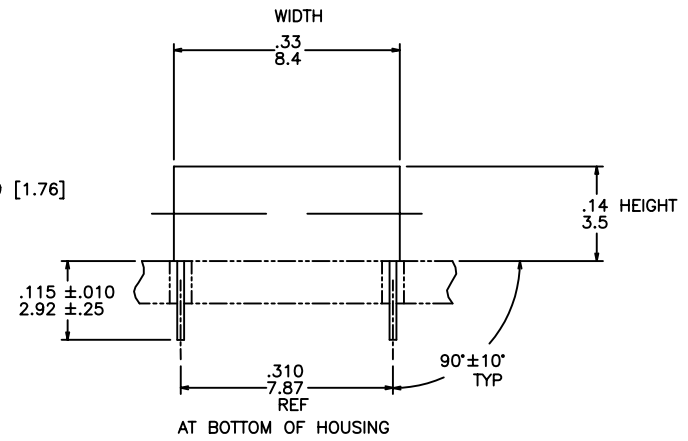
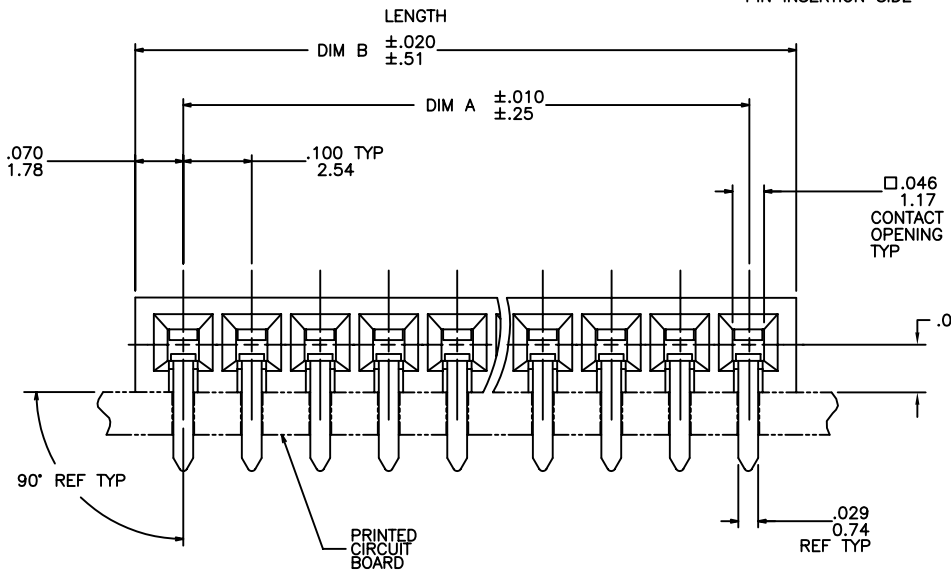


PRODUCT NUMBER  
SEE TABLE



ARROW INDICATES  
PIN INSERTION SIDE



Copyright FCI

mat'l. code				surface ISO 1802 <input checked="" type="checkbox"/>		tolerance ISO 406 ISO 1101		projection 		product family CARD CONN						
ltr	ecn no	dr	date	tolerances unless otherwise specified						title						
AD	V61612	LSS	10/26/95	angles	linear	.XX±.01/.X±0.3		INCH/MM		BERGCON CARD CONNECTOR						
AE	V70992	JM	10/12/97			.XXX±.0005/.XX±0.13		scale 1:1		S/R .100/2.54 cc						
AF	V80769	SAR	5/18/98	0°±2'		.XXX±.0020/.XXX±0.051				dwg no sheet 1 of 9 size						
AG	V02523	AZ	10/23/00	dr	S.ROYER	1/17/90				65001 A3						
AH	M05-0199	ERE	9/15/05	enr	M. HAHN	1/17/90				type Product Customer Drawing						
AJ	M06-0210	MHT	6/03/06	chr	M. HAHN	1/17/90										
AK	M08-0250	MHT	9/01/08	appd	M. HAHN	1/17/90										
sheet	revision	AK	AK	AK	AK	AK	AK	AK	AK	AK						
index	sheet	1	2	3	4	5	6	7	8	9						

PRODUCT NO.  
SEE TABLE

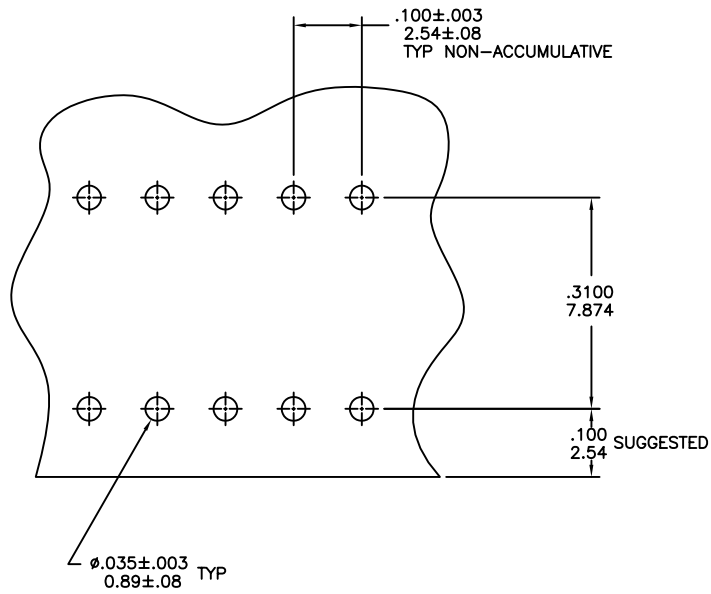


FIGURE 1

NOTES:

- 1 HOUSING MATERIAL:  
FILLED HIGH TEMPERATURE NYLON, COLOR BLACK
- 2 TERMINAL MATERIAL:  
BODY-BRASS, .010/.25 THICK  
SPRING- Be-Cu, HEAT TREATED  
BODY PLATING- SEE TABLE FOR Au PLATING THICKNESS  
OVER  $50\mu''/1.27\mu$  Ni, IN CONTACT AREA.  
SPRING PLATING- Au FLASH  
  
LF BODY PLATING:  $2.54\mu/100\mu''$  Sn  
SPRING PLATING: ELECTROLESS Sn
- 3 MARKING: "FCI" FCI P/N AND DATE CODE LEGIBLE  
ON TUBE LABEL.
- 4 APPLICATION INFORMATION:  
A. RECOMMENDED MOUNTING HOLE PATTERN IS SHOWN  
IN FIGURE 1  
B. ALL MATING PINS TO BE  $.025/.64$  SQ ON TRUE  
CENTER OF GIVEN TERMINAL SPACINGS WITHIN  
.015/.38 DIA.  
C. SUGGESTED MATING PIN LENGTH  
 $.350 \pm .020/8.89 \pm .51$
- ⑤ ADD "LF" SUFFIX AT THE END OF PART NUMBER FOR  
LEAD FREE OPTION.
- ⑥ THESE PRODUCTS MEET EUROPEAN UNION DIRECTIVES  
AND OTHER COUNTRY REGULATIONS AS DESCRIBED IN  
GS-22-008.
7. THIS PART WILL WITHSTAND EXPOSURE TO  $260^\circ\text{C}$  PEAK  
TEMPERATURE FOR 20 SECONDS IN WAVE SOLDER,  
INFRA-RED OR VAPOR PHASE SOLDER PROCESS.
- ⑧ "THIS PRODUCT HAS 100% TIN PLATING IN THE INTERFACE  
AND HAS NOT BEEN TESTED FOR WHISKER GROWTH IN ALL  
INTERCONNECT ENVIRONMENTS."



Copyright FCI

mat'l. code				surface ISO 1902	tolerance ISO 406 ISO 1101	projection 	product family CARD CONN
ltr	ecn no	dr	date	tolerances unless otherwise specified		INCH/MM	title BERGCON CARD CONNECTOR S/R .100/2.54 cc
AK				angles	linear		
						scale 1:1	
		dr	S.ROYER	1/17/90			dwg no 65001
		engr	M. HAHN	1/17/90			sheet 2 of 9 size A3
		chr	M. HAHN	1/17/90			
		appd	M. HAHN	1/17/90			type Product Customer Drawing
sheet index	revision sheet						

PRODUCT NUMBER	HOUSING MATERIAL	NO. OF POS	DIM A	DIM B	SPRING THICKNESS	BODY PLATING THICKNESS	CUSTOMER RESTRICTED	LEAD FREE OPTION
65001-001	HT NYLON	8	.700/17.78	.840/21.34	.0035/.089	40u"/1.02u Au		NOTE 5, 6
-002		8	.700/17.78	.840/21.34				
-003		9	.800/20.32	.940/23.88				
-004		9	.800/20.32	.940/23.88				
-005		10	.900/22.86	1.040/26.42				
-006		10	.900/22.86	1.040/26.42				
-007		11	1.00/25.40	1.140/28.96				
-008		11	1.00/25.40	1.140/28.96				
-009		12	1.100/27.94	1.240/31.50				
-010		12	1.100/27.94	1.240/31.50				
-011		13	1.200/30.48	1.340/34.04				
-012		13	1.200/30.48	1.340/34.04				
-013		14	1.300/33.02	1.440/36.58				
-014		14	1.300/33.02	1.440/36.58				
-015		15	1.400/35.56	1.540/39.12				
-016		15	1.400/35.56	1.540/39.12				
-017		16	1.500/38.10	1.640/41.66				
-018		16	1.500/38.10	1.640/41.66				
-019		17	1.600/40.64	1.740/44.20				
-020		17	1.600/40.64	1.740/44.20				
-021		18	1.700/43.18	1.840/46.74				
-022		18	1.700/43.18	1.840/46.74				
-023		19	1.800/45.72	1.940/49.28				
-024		19	1.800/45.72	1.940/49.28				
-025		20	1.900/48.26	2.040/51.82				
-026		20	1.900/48.26	2.040/51.82				
-027		21	2.000/50.80	2.140/54.36				
-028		21	2.000/50.80	2.140/54.36				
-029		22	2.100/53.34	2.240/56.90				
-030		22	2.100/53.34	2.240/56.90				
-031		23	2.200/55.68	2.340/59.44				
-032		23	2.200/55.68	2.340/59.44				
-033		24	2.300/58.42	2.440/61.98				
-034		24	2.300/58.42	2.440/61.98				
-035		25	2.400/60.96	2.540/64.52				
65001-036	HT NYLON	25	2.400/60.96	2.540/64.52	.0035/.089	40u"/1.02u Au		NOTE 5, 6

mat'l. code		surface ISO 1902	tolerance ISO 406 ISO 1101	projection 	product family CARD CONN
ltr	ecn no	dr	date	tolerances unless otherwise specified	title
AK				linear XX±.01/XX±.03 XXX±.005/XXX±.013 XXXX±.0020/XXXX±.0051	BERGCON CARD CONNECTOR S/R .100/2.54 cc
				0°±2°	INCH/MM scale 1:1
		dr	S.ROYER	1/17/90	dwg no
		engr	M. HAHN	1/17/90	sheet 3 of 9 size
		chr	M. HAHN	1/17/90	65001
		appd	M. HAHN	1/17/90	A3
sheet index	revision sheet				type Product Customer Drawing



Copyright FCI

PRODUCT NUMBER	HOUSING MATERIAL	NO. OF POS	DIM A	DIM B	SPRING THICKNESS	BODY PLATING THICKNESS	CUSTOMER RESTRICTED	LEAD FREE OPTION
65001-037	HT NYLON	26	2.500/63.50	2.640/67.06	.0035/.089	40u"/1.02u Au		NOTE 5, 6
-038		26	2.500/63.50	2.640/67.06				
-039		27	2.600/66.04	2.740/69.60				
-040		27	2.600/66.04	2.740/69.60				
-041		28	2.700/68.58	2.840/72.14				
-042		28	2.700/68.58	2.840/72.14				
-043		29	2.800/71.12	2.940/74.68				
-044		29	2.800/71.12	2.940/74.68				
-045		30	2.900/73.66	3.040/77.22				
-046		30	2.900/73.66	3.040/77.22				
-047		31	3.000/76.20	3.140/79.76				
-048		31	3.000/76.20	3.140/79.76				
-049		32	3.100/78.74	3.240/82.30				
-050		32	3.100/78.74	3.240/82.30				
-051		33	3.200/81.28	3.340/84.84				
-052		33	3.200/81.28	3.340/84.84				
-053		34	3.300/83.82	3.440/87.38				
-054		34	3.300/83.82	3.440/87.38				
-055		35	3.400/86.36	3.540/89.92				
-056		35	3.400/86.36	3.540/89.92				
-057		36	3.500/88.90	3.640/92.46				
-058		36	3.500/88.90	3.640/92.46				
-059		37	3.600/91.44	3.740/95.00				
-060		37	3.600/91.44	3.740/95.00				
-061		38	3.700/93.98	3.840/97.54				
-062		38	3.700/93.98	3.840/97.54				
-063		39	3.800/96.52	3.940/100.08				
-064		39	3.800/96.52	3.940/100.08				
-065		40	3.900/99.06	4.040/102.62				
-066		40	3.900/99.06	4.040/102.62				
-067		41	4.000/101.60	4.140/105.16				
-068		41	4.000/101.60	4.140/105.16				
-069		42	4.100/104.14	4.240/107.70				
-070		42	4.100/104.14	4.240/107.70				
-071		43	4.200/106.68	4.340/110.24				
65001-072	HT NYLON	43	4.200/106.68	4.340/110.24	.0035/.089	40u"/1.02u Au		NOTE 5, 6



Copyright FCI

mat'l. code		surface ISO 1902		tolerance ISO 406 ISO 1101		projection 		product family CARD CONN	
ltr	ecn no	dr	date	tolerances unless otherwise specified		INCH/MM		title BERGCON CARD CONNECTOR S/R .100/2.54 cc	
AK				angles	linear	scale 1:1		dwg no 65001	
				0°±2°				sheet 4 of 9 size A3	
				dr	S.ROYER	1/17/90		type Product Customer Drawing	
				engr	M. HAHN	1/17/90			
				chr	M. HAHN	1/17/90			
				appd	M. HAHN	1/17/90			
sheet index	revision sheet								

PRODUCT NUMBER	HOUSING MATERIAL	NO. OF POS	DIM A	DIM B	SPRING THICKNESS	BODY PLATING THICKNESS	CUSTOMER RESTRICTED	LEAD FREE OPTION
65001-073	HT NYLON	44	4.300/109.22	4.440/112.78	.0035/.089	40u"/1.02u Au		NOTE 5, 6
-074		44	4.300/109.22	4.440/112.78				
-075		45	4.400/111.76	4.540/115.31				
-076		45	4.400/111.76	4.540/115.31				
-077		46	4.500/114.30	4.640/117.86				
-078		46	4.500/114.30	4.640/117.86				
-079		47	4.600/116.84	4.740/120.40				
-080		47	4.600/116.84	4.740/120.40				
-081		48	4.700/119.38	4.840/122.94				
-082		48	4.700/119.38	4.840/122.94				
-083		49	4.800/121.92	4.940/125.48				
-084		49	4.800/121.92	4.940/125.48				
-085		50	4.900/124.46	5.040/128.02				
-086		50	4.900/124.46	5.040/128.02				
-087		51	5.000/127.00	5.140/130.56				
-088		51	5.000/127.00	5.140/130.56				
-089		52	5.100/129.54	5.240/133.10				
-090		52	5.100/129.54	5.240/133.10		40u"/1.02u Au		
-097		11	1.000/25.40	1.140/28.96		50u"/1.27u Au		
-099		16	1.500/38.10	1.640/51.66			RESTRICTED	
-101		8	.700/17.78	.840/21.34				
-103		24	2.300/58.42	2.440/61.98	.0035/.089			
-104		11	1.000/25.40	1.140/28.96	.0048/.122	50u"/1.27u Au		
-105		11	1.000/25.40	1.140/28.96	.0035/.089	100u"/2.54u Sn		
-106		18	1.700/43.18	1.840/46.74	.0035/.089	50u"/1.27u Au		
-107		33	3.200/81.28	3.340/84.84	.0035/.089	50u"/1.27u Au		
-108		35	3.400/86.36	3.540/89.92	.0048/.122	40u"/1.02u Au		
-109		27	2.600/66.04	2.740/69.96	.0035/.089			
-110		5	.400/10.16	.540/13.72				
-111		6	.500/12.70	.640/16.26				
-112		7	.600/15.24	.740/18.80		40u"/1.02u Au		
-113		4	.300/7.62	.440/11.18		50u"/1.27u Au		
-114		6	.500/12.70	.640/16.26		50u"/1.27u Au		
-115		12	1.100/27.84	1.240/31.50		50u"/1.27u Au	RESTRICTED	
65001-116		14	1.300/33.02	1.440/36.58	.0035/.089	50u"/1.27u Au		
65001-117	HT NYLON	1	.000/0.00	.140/3.56	.0035/.089	40u"/1.02u Au		OBS.

mat'l. code		surface ISO 1902	tolerance ISO 406 ISO 1101	projection 	product family CARD CONN
ltr	ecn no	dr	date	tolerances unless otherwise specified	title
AK				linear XX±.01/XX±0.3 XXX±0.005/XXX±0.13 XXXX±.0020/XXXX±0.051	BERGCON CARD CONNECTOR S/R .100/2.54 cc
				angles 0°±2°	INCH/MM scale 1:1
		dr	S.ROYER	1/17/90	dwg no
		engr	M. HAHN	1/17/90	65001
		chr	M. HAHN	1/17/90	sheet 5 of 9 size A3
		appd	M. HAHN	1/17/90	type Product Customer Drawing
sheet index	revision sheet				



Copyright FCI

PRODUCT NUMBER	HOUSING MATERIAL	NO. OF POS	DIM A	DIM B	SPRING THICKNESS	BODY PLATING THICKNESS	CUSTOMER RESTRICTED	LEAD FREE OPTION
65001-118	HT NYLON	2	.100/2.54	.240/6.10	.0035/.089	50u"/1.27u Au		NOTE 5, 6
-119		3	.200/5.08	.340/8.64		40u"/1.02u Au		
-120		4	.300/7.62	.440/11.18		40u"/1.02u Au		
-121		20	1.900/48.26	2.040/51.28		100u"/2.54u Sn		
-122		8	.700/17.78	.840/21.34		50u"/1.27u Au		
-123		9	.800/20.32	.940/21.34				
-124		10	.900/22.86	1.040/26.42				
-125		11	1.000/25.40	1.140/28.96				
-126		13	1.200/30.48	1.340/34.04				
-127		14	1.300/33.02	1.440/36.58				
-128		15	1.400/35.56	1.540/39.12		50u"/1.27u Au		
-129		6	.500/12.70	.640/16.26		100u"/2.54u Sn		
-130		9	.800/20.32	.940/23.88		40u"/1.02u Au	RESTRICTED	
-131		19	1.800/45.72	1.94/49.280		40u"/1.02u Au	RESTRICTED	
-132		29	2.800/71.12	2.940/74.68		40u"/1.02u Au	RESTRICTED	
-133		33	3.200/81.28	3.340/84.84	.0035/.089	40u"/1.02u Au	RESTRICTED	
-134		1	.000/0.00	.140/3.56	<del>.0035/.089</del>	<del>40u"/1.02u Au</del>		OBS.
-135		2	.100/2.54	.240/6.10	.0035/.089	40u"/1.02u Au		
-136		3	.200/5.08	.340/8.64				
-137		4	.300/7.62	.440/11.18				
-138		5	.400/10.16	.540/13.72				
-139		6	.500/12.70	.640/16.26				
-140		7	.600/15.24	.740/18.80				
-141		9	.800/20.32	.920/23.37			RESTRICTED	
-142		11	1.000/25.40	1.120/28.45			RESTRICTED	
-143		15	1.400/35.56	1.520/38.61			RESTRICTED	
-144		20	1.900/48.26	2.020/51.31	.0035/.089		RESTRICTED	
-145		24	2.300/58.42	2.440/61.98	.0048/.122			
-146		14	1.300/33.02	1.420/36.07	.0035/.089		RESTRICTED	
-147		16	1.500/38.10	1.620/41.15			RESTRICTED	
-148		18	1.700/43.18	1.820/46.23			RESTRICTED	
-149		23	2.200/55.88	2.320/58.93			RESTRICTED	
-150		33	3.200/81.28	3.320/84.33			RESTRICTED	
-151		52	5.100/129.54	5.220/132.59			RESTRICTED	
-152		5	.400/10.16	.520/13.21			RESTRICTED	
65001-153	HT NYLON	14	1.300/33.02	1.440/36.58	.0035/.089	40u"/1.02u Au	RESTRICTED	NOTE 5, 6



Copyright FCI

mat'l. code		surface ISO 902 <input checked="" type="checkbox"/>		tolerance ISO 406 ISO 1101		projection		product family CARD CONN	
ltr	ecn no	dr	date	tolerances unless otherwise specified		INCH/MM		title	
AK				angles	linear	.XX±.01/.XX±0.3 .XXX±0.005/.XXX±0.13 .XXXX±.0020/.XXXX±0.051		BERGCON CARD CONNECTOR S/R .100/2.54 cc	
				0°±2°		scale 1:1		dwg no 65001 sheet 6 of 9 size A3	
				dr	S.ROYER	1/17/90		type Product Customer Drawing	
				engr	M. HAHN	1/17/90			
				chr	M. HAHN	1/17/90			
				appd	M. HAHN	1/17/90			
sheet index	revision sheet								

PRODUCT NUMBER	HOUSING MATERIAL	NO. OF POS	DIM A	DIM B	SPRING THICKNESS	BODY PLATING THICKNESS	CUSTOMER RESTRICTED	LEAD FREE OPTION
65001-154	HT NYLON	19	1.800/45.72	1.940/49.73	.0035/.089	40u"/1.02u Au		NOTE 5, 6
-155			UNAVAILABLE					
-156		22	2.100/55.34	2.220/56.39	.0035/.089	40u"/1.02u Au	RESTRICTED	
-157		39	3.800/96.52	3.920/99.57	.0035/.089	40u"/1.02u Au	RESTRICTED	
-158		14	1.300/33.02	1.420/36.07	.0035/.089	40u"/1.02u Au	RESTRICTED	
-159		8	.700/17.78	.820/20.82	.0048/.122	50u"/1.27u Au	RESTRICTED	
-160		12	1.100/27.94	1.240/31.50	.0035/.089	40u"/1.02u Au		
-161		9	.800/20.32	.940/23.88	.0035/.089	40u"/1.02u Au		
-162		19	1.800/45.72	1.940/49.28	.0035/.089	40u"/1.02u Au		
-163		14	1.300/33.02	1.440/36.58	.0035/.089	40u"/1.02u Au		
-164		14	1.300/33.02	1.440/36.58	.0048/.122	100u"/2.54u Sn		
-165		4	.300/7.62	.440/11.18	.0035/.089	50u"/1.27u Au		
-166		6	.500/12.70	.640/16.26				
-167		10	.900/22.86	1.040/26.42				
-168		12	1.100/27.94	1.240/31.50				
-169		14	1.300/33.02	1.440/36.58				
-170		20	1.900/48.26	2.040/51.82				
-171		22	2.100/55.34	2.240/56.90				
-172		26	2.500/63.50	2.640/67.06				
-173		28	2.700/68.58	2.840/72.14				
-174		30	2.900/73.66	3.040/77.22		50u"/1.27u Au		
-175		44	4.300/109.22	4.398/111.71		40u"/1.02u Au	YES	
-176		20	1.900/48.26	2.040/51.82			RESTRICTED	
-177		12	1.100/27.94	1.240/31.50			RESTRICTED	
-178		2	.100/2.54	.240/6.10			RESTRICTED	
-179		8	.700/17.78	.840/21.34		40u"/1.02u Au	RESTRICTED	
-180		4	.300/7.62	.440/11.18	.0035/.089	81u"/2.05u Au		
-181		20	1.900/48.26	2.040/51.82	.0065/.165	100u"/2.54u Sn		
-182		21	2.000/50.80	2.040/51.82	.0035/.089	40u"/1.02u Au	RESTRICTED	
-183		40	3.900/99.06	4.040/102.62	.0035/.089	50u"/1.27u Au	RESTRICTED	
-184		36	3.500/88.90	3.640/92.46	.0048/.122	50u"/1.27u Au		
-185		52	5.100/129.54	5.240/133.10	.0035/.089	50u"/1.27u Au		
-186		2	.100/2.54	.240/6.10	.0065/.165	100u"/2.54u Sn		
-187		17	1.600/40.64	1.740/44.20	.0035/.089	40u"/1.02u Au		
-188		10	.900/22.86	1.040/26.42	.0035/.089	80u"/2.03u Au	BNL ONLY	
65001-189	HT NYLON	12	1.100/27.94	1.240/31.50	.0035/.089	80u"/2.03u Au	BNL ONLY	

mat'l. code		surface ISO 1902	tolerance ISO 406 ISO 1101	projection 	product family CARD CONN
ltr	ecn no	dr	date	tolerances unless otherwise specified	title
AK				angles linear XXX±.01/XXX±.03 XXX±.005/XXX±.013 XXX±.0020/XXX±.0051	BERGCON CARD CONNECTOR S/R .100/2.54 cc
				0°±2°	INCH/MM scale 1:1
		dr	S. ROYER	1/17/90	dwg no
		engr	M. HAHN	1/17/90	sheet 7 of 9 size
		chr	M. HAHN	1/17/90	65001 A3
		appd	M. HAHN	1/17/90	type Product Customer Drawing
sheet index	revision sheet				



Copyright FCI

PRODUCT NUMBER	HOUSING MATERIAL	NO. OF POS	DIM A	DIM B	SPRING THICKNESS	BODY PLATING THICKNESS	CUSTOMER RESTRICTED	LEAD FREE OPTION
65001-190	HT NYLON	3	.200/5.08	.340/8.64	.0035/.089	50u"/1.27u Au	RESTRICTED	NOTE 5, 6 OBS.
-191		21	2.000/50.80	2.140/54.36	.0035/.089	50u"/1.27u Au	RESTRICTED	
-192		38	3.700/93.98	3.840/97.54	.0035/.089	50u"/1.27u Au	RESTRICTED	
-201		1	<del>.000/0.00</del>	<del>.140/3.56</del>	<del>.0035/.089</del>	<del>100u"/2.54u Sn</del>		
-202		2	.100/2.54	.240/6.10	.0035/.089	100u"/2.54u Sn		
-203		3	.200/5.08	.340/8.64				
-204		4	.300/7.62	.440/11.18				
-205		5	.400/10.16	.540/13.72				
-206		6	.500/12.70	.640/16.26				
-207		7	.600/15.24	.740/18.80				
-208		8	.700/17.78	.840/21.34				
-209		9	.800/20.32	.940/23.88				
-210		10	.900/22.86	1.040/26.42				
-211		11	1.000/25.40	1.140/28.96				
-212		12	1.100/27.94	1.240/31.50				
-213		13	1.200/30.48	1.340/34.04				
-214		14	1.300/33.02	1.440/36.58				
-215		15	1.400/35.56	1.540/39.12				
-216		16	1.500/38.10	1.640/41.66				
-217		17	1.600/40.64	1.740/44.20				
-218		18	1.700/43.18	1.840/46.74				
-219		19	1.800/45.72	1.940/49.28				
-220		20	1.900/48.26	2.040/51.28				
-221		21	2.000/50.80	2.140/54.36				
-222		22	2.100/53.34	2.240/56.90				
-223		23	2.200/55.88	2.340/59.44				
-224		24	2.300/58.42	2.440/61.98				
-225		25	2.400/60.96	2.540/64.52				
-226		26	2.500/63.50	2.640/67.06				
-227		27	2.600/66.40	2.740/69.60				
-228		28	2.700/68.58	2.840/72.14				
-229		29	2.800/71.12	2.940/74.68				
-230		30	2.900/73.66	3.040/77.22				
-231		31	3.000/76.20	3.140/79.76				
-232		32	3.100/78.74	3.240/82.30				
65001-233	HT NYLON	33	3.200/81.28	3.340/84.84	.0035/.089	100u"/2.54u Sn		NOTE 5, 6



Copyright FCI

mat'l. code		surface ISO 1902		tolerance ISO 406 ISO 1101		projection 		product family CARD CONN	
ltr	ecn no	dr	date	tolerances unless otherwise specified		INCH/MM		title BERGCON CARD CONNECTOR S/R .100/2.54 cc	
AK				angles	linear	scale 1:1		dwg no 65001	
				0°±2°	.000±0.005/.003±0.13 .000±0.020/.003±0.051			sheet 8 of 9 size A3	
				dr	S.ROYER	1/17/90		type Product Customer Drawing	
				engr	M. HAHN	1/17/90			
				chr	M. HAHN	1/17/90			
				appd	M. HAHN	1/17/90			
sheet index	revision sheet								



PRODUCT NUMBER	HOUSING MATERIAL	NO. OF POS	DIM A	DIM B	SPRING THICKNESS	BODY PLATING THICKNESS	CUSTOMER RESTRICTED	LEAD FREE OPTION
65001-234	HT NYLON	34	3.300/83.82	3.440/87.38	.0035/.089	100u"/2.54u Sn		NOTE 5, 6
-235		35	3.400/86.36	3.540/89.92				
-236		36	3.500/88.90	3.640/92.46				
-237		37	3.600/91.44	3.740/95.00				
-238		38	3.700/93.98	3.840/97.54				
-239		39	3.800/96.52	3.940/100.08				
-240		40	3.900/99.06	4.040/102.62				
-241		41	4.000/101.60	4.140/105.16				
-242		42	4.100/104.14	4.240/107.70				
-243		43	4.200/106.68	4.340/110.24				
-244		44	4.300/109.22	4.440/112.78				
-245		45	4.400/111.76	4.540/115.32				
-246		46	4.500/114.30	4.640/117.86				
-247		47	4.600/116.84	4.740/120.40				
-248		48	4.700/119.38	4.840/122.94				
-249		49	4.800/121.92	4.940/125.48				
-250		50	4.900/124.46	5.040/128.02				
-251		51	5.000/127.00	5.140/130.56				
-252		52	5.100/129.54	5.240/133.10		100u"/2.54u Sn		
-253		8	.700/17.78	.840/21.34		81u"/2.06u Au	BNL	
-254		15	1.400/35.56	1.540/39.12	.0035/.089	40u"/1.02u Au		
65001-255	HT NYLON	3	.200/5.08	.340/8.64	.0048/.122	100u"/2.54u Sn		



FCJconnect.com

Copyright FCJ

mat'l. code		surface ISO 1902		tolerance ISO 406 ISO 1101		projection 		product family CARD CONN	
ltr	ecn no	dr	date	tolerances unless otherwise specified		INCH/MM		title BERGCON CARD CONNECTOR S/R .100/2.54 cc	
AK				angles	linear	scale 1:1		dwg no 65001	
				0°±2°				sheet 9 of 9 size A3	
				dr	S.ROYER	1/17/90		type Product Customer Drawing	
				enr	M. HAHN	1/17/90			
				chr	M. HAHN	1/17/90			
				appd	M. HAHN	1/17/90			
sheet index	revision sheet								